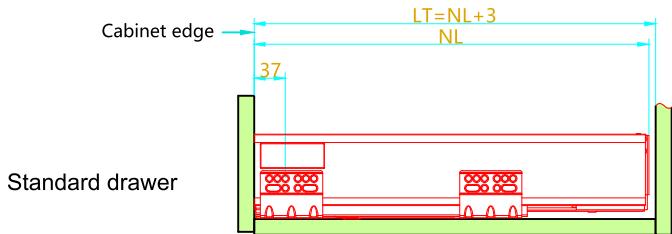


Double wall series

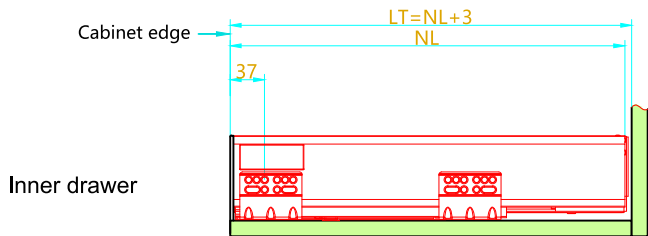
Standard drawer Installation dimension

NL= Slide length
LT= Internal cabinet depth

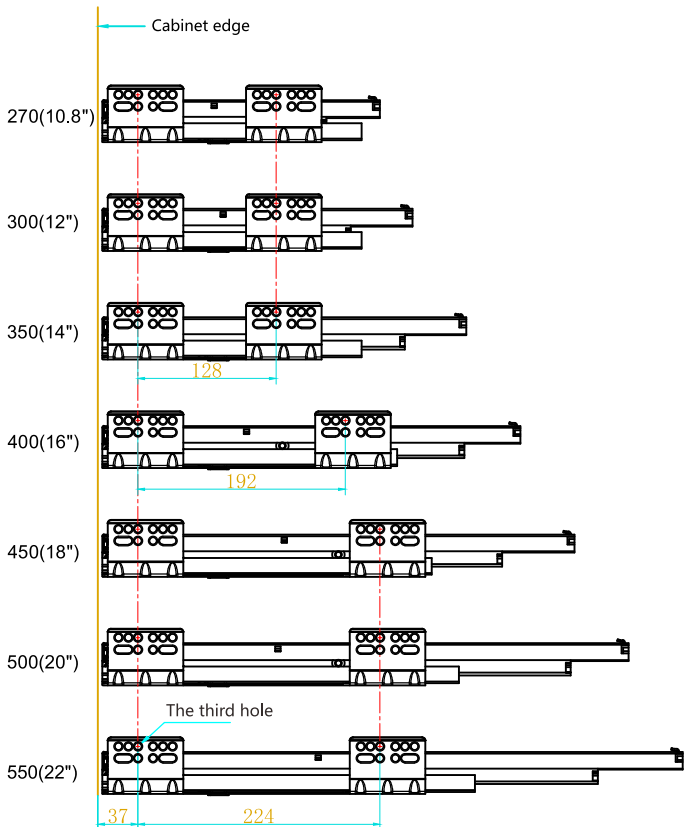


Inner drawer Installation dimension

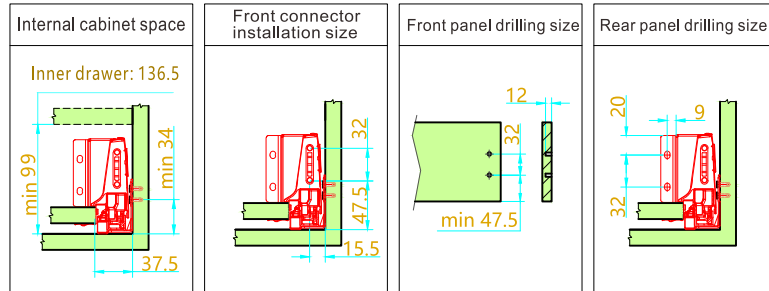
NL= Slide length
LT= Internal cabinet depth



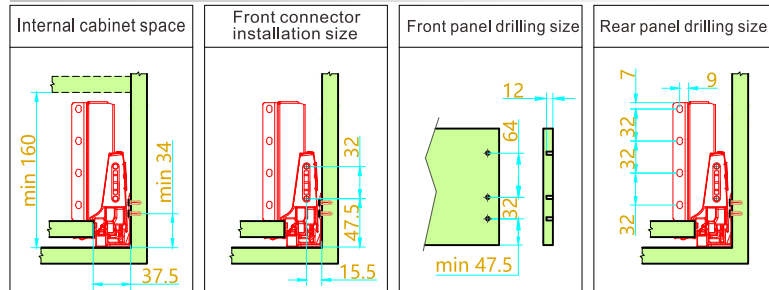
Installation Dimensions



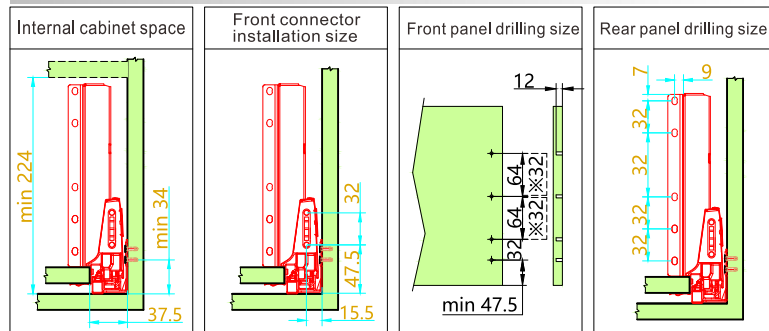
Low Drawer Height=84



Medium Drawer Height=135

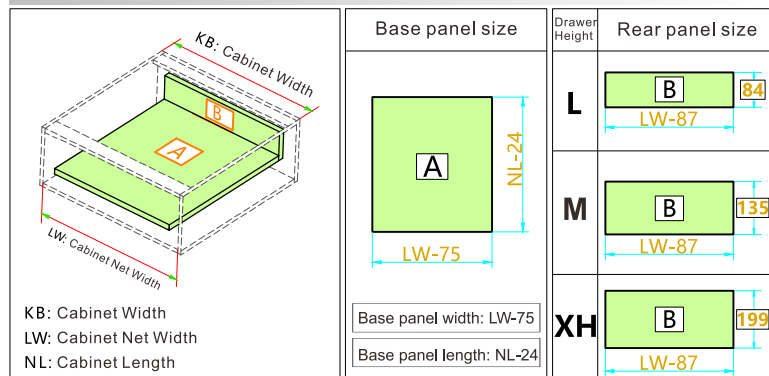


Higher Drawer Height=199

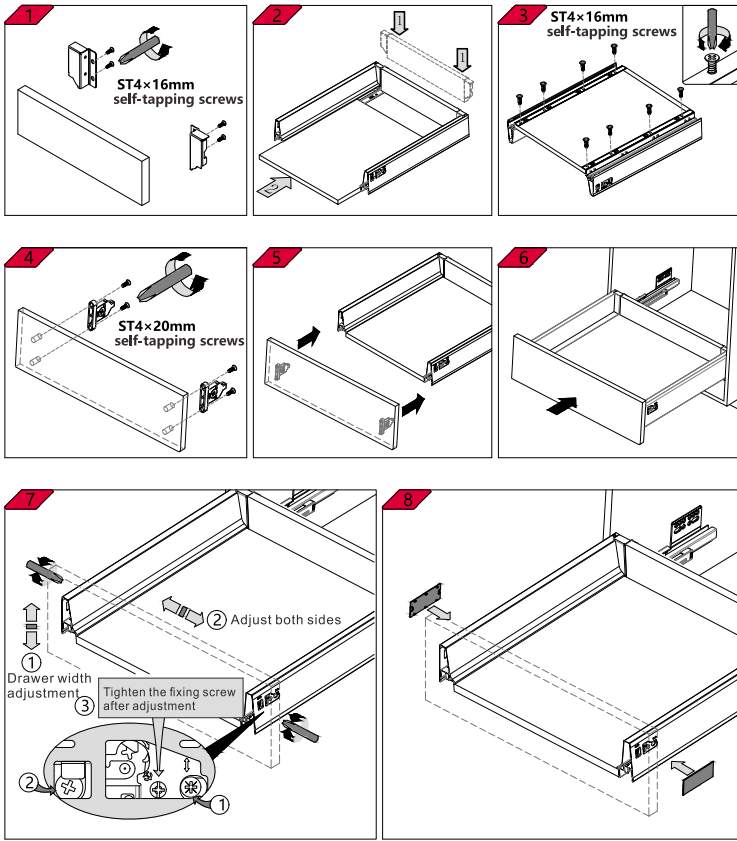


(* Dimension of glass side panel)

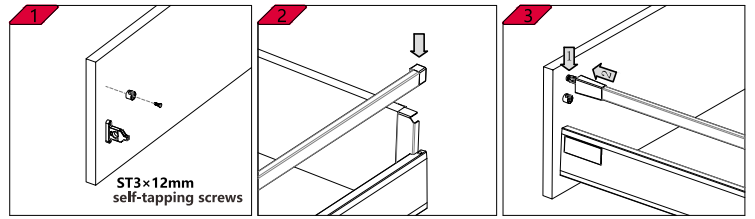
16mm panel cutting size



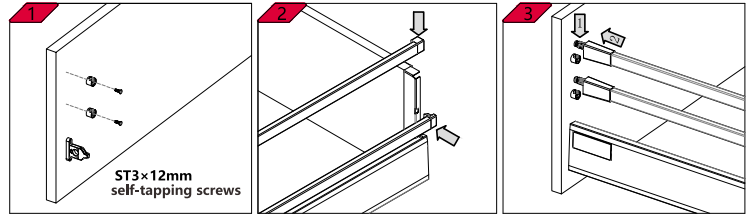
Low drawer installation



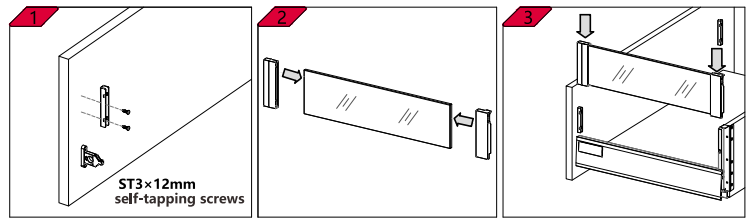
Medium standard drawer installation



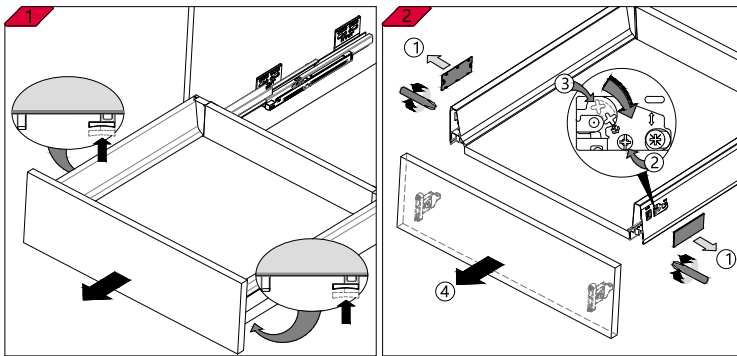
Higher standard drawer installation



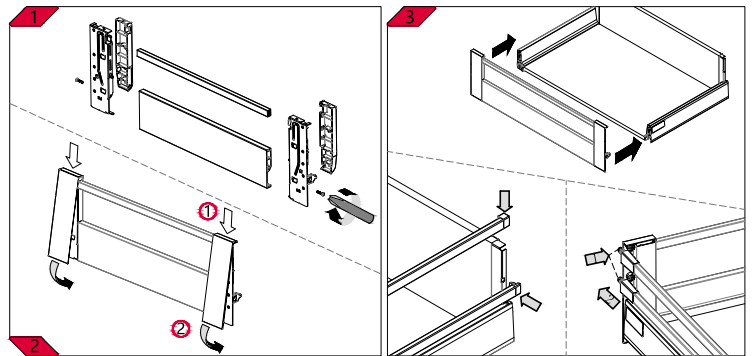
Higher inner drawer with glass side panel installation



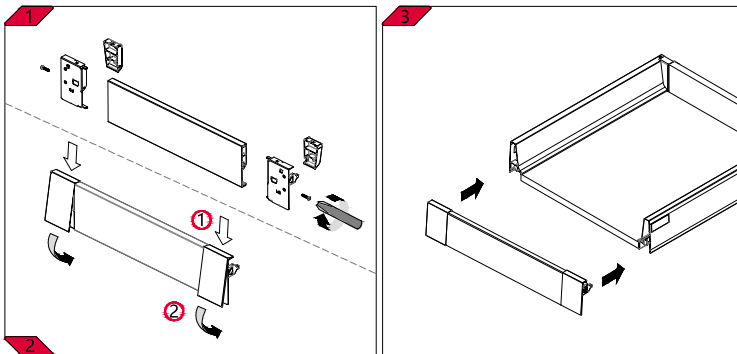
Drawer disassemble



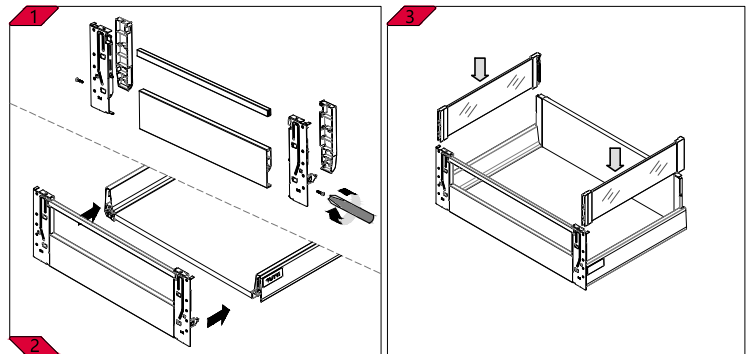
Higher inner drawer with rod installation



Low inner drawer installation



Higher inner drawer with glass side panel installation



Medium inner drawer installation

